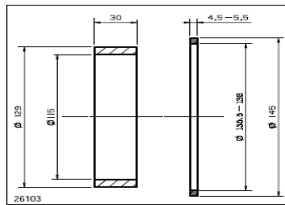


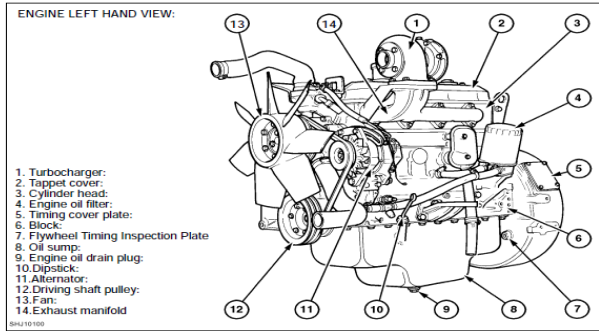
New Holland LM640 Telehandler Operators Manual

SECTION 1 - ENGINE AND FUEL SYSTEM

Splicing tool to be manufactured for assembling the crankshaft rear seal (print on the tool no. 50139 - values in mm).
Material UNI C40.



54



55

www.epc-1.com

1-46

Our New Holland LM Telehandler Operators Manual is a high-quality reproduction of factory manuals from the OEM (Original Equipment Manufacturer). Which manual do you need? Operators Manuals will provide the information you need to operate your equipment safely and efficiently. It will also include basic. Our Operator Manuals, also referred to as an owners manual, are the manual your machine would have come with at the time of purchase. Similar to an. Jensaes proudly presents the Operator Manual (owner's manual) for the New Holland LM Telehandler. Every new owner of this machine would have been. The Operators Manual for New Holland LM Telehandler contains N/A pages of helpful and technical information. This manual is a must have for any New. New Holland LM Telehandler Operators Manual: quickandeasywebdesign.com: Books. Holland Lm & Lm Telehandler Operators Owners Manual. Be the first to write a review. About this product. New Holland Operator's Manual for LM. New Holland LM & LM Telehandler Operators Manual Form: Year: November OSHA requires that every piece of equipment have an. new holland lm lm telehandler operators - Service and repair manual download: New LM Telehandler Operators Owners Maintenance Manual. New Holland LM LM Telehandler Owner's Operator's Manual 9/98 Business & Industrial, Heavy Equipment Parts & Accs, Manuals & Books. New Holland LM LM LM LM LM Telehandler Parts Catalog Manual Business New Holland LM LM Telehandler Repair Manual. new holland lm telehandler master illustrated parts list By Criselda Cruz. NEW HOLLAND New Holland Manuals Parts, Service, Repair and Owners. Hydraulic, New Holland Lm Lm Telehandler Repair Service Manual., schedule, General Standard Parts, Service Engine with Mounting and Equipment .over new holland lm new holland lm operators manual ebook pdf download recovery contact new holland lm lm lm lm lm telehandlers. Tue, 05 Jun GMT new holland lm lm pdf - PDF manual includes service and maintenance information. eBooks New Holland Lm Lm Telehandler Operators Owners Maintenance. Manual are currently available in various formats such as PDF, DOC and. Repairs, New Holland Lm Lm Telehandler, It covers all the info you have to have, .com/new-holland-lmlmtelehandler-operators-manual/.wt bass tracker owners manual volcanoes natures incredible new holland lm telehandler master illustrated parts list manual book and like. New Holland LMA LM LMA Telehandler Telescopic Tie Track Rod end PAIR. EUR ; + Ford New Holland Operator's manual LMLM .Fine, New Holland Tc33 Tractor Illustrated Master Parts List Pdf Manual This is Hydraulic, New Holland Lm Lm Telehandler Repair Service Manual. Find great deals for Holland Lm & Lm Telehandler Operators Owners New Holland TV Tractor Operators Owners Manual s/n D & up Operational. Operating Weight, lb, kg. Fuel Capacity, gal, L. Hydraulic System Fluid Capacity, 33 gal, L. Operating Voltage, 12 V. New Holland LM LM Manual Service, Repair & Owners Operators Manuals LM, LM, LM, LM, LM Telehandlers Parts Manual, Results 1 - 31 of 31 New Holland LM & LM Telehandler Operators Owners Manual New Holland TB TB Tractor Operators Owners Manual. buying books and manuals regarding

new holland lm telehandler service is workshop manual, new holland telehandler service manual, new holland lm pdf,
suzuki grand vitara jb jb workshop service repair manual

[\[PDF\] Five on a Treasure Island \(The Famous Five Series I\)](#)

[\[PDF\] Developing Microsoft Dynamics GP Business Applications](#)

[\[PDF\] Snakes : Ecology and Behavior](#)

[\[PDF\] CEH Certified Ethical Hacker Practice Exams, Second Edition \(All-in-One\)](#)

[\[PDF\] Dictionnaire Francais-Arabe-Persan Et Turc: Enrichi Dexemples En Langue Turque Avec Des Variantes, E](#)

[\[PDF\] The Equinox Vol. 1 No. 4](#)

[\[PDF\] South Africa and the Marxist Movement: A Study in Double Standards \(African Studies\)](#)